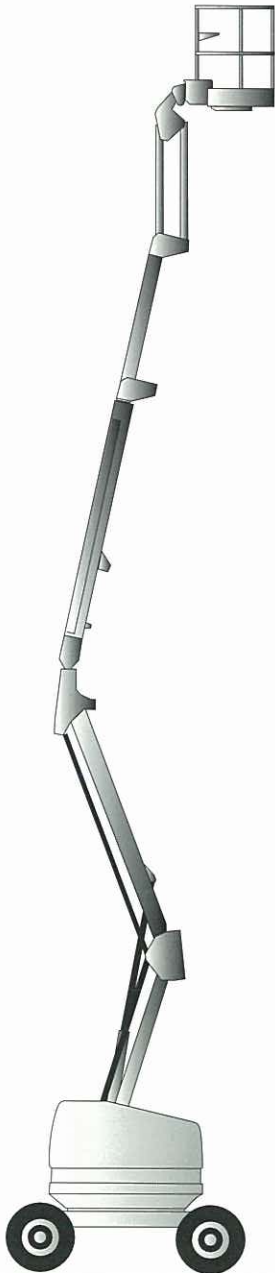




**GROVE**  
**MANLIFT**<sup>®</sup>

A GROVE WORLDWIDE COMPANY



# AMZ51/ AMZ51XT

- Working Height 15.5 m (51 ft)
- Platform Height 13.7 m (45 ft)
- Horizontal Reach 7.5 m (24 ft 6 in)
- Riser Height 6.83 m (22 ft 5 in)
- Platform Capacity 227 kg (500 lbs)

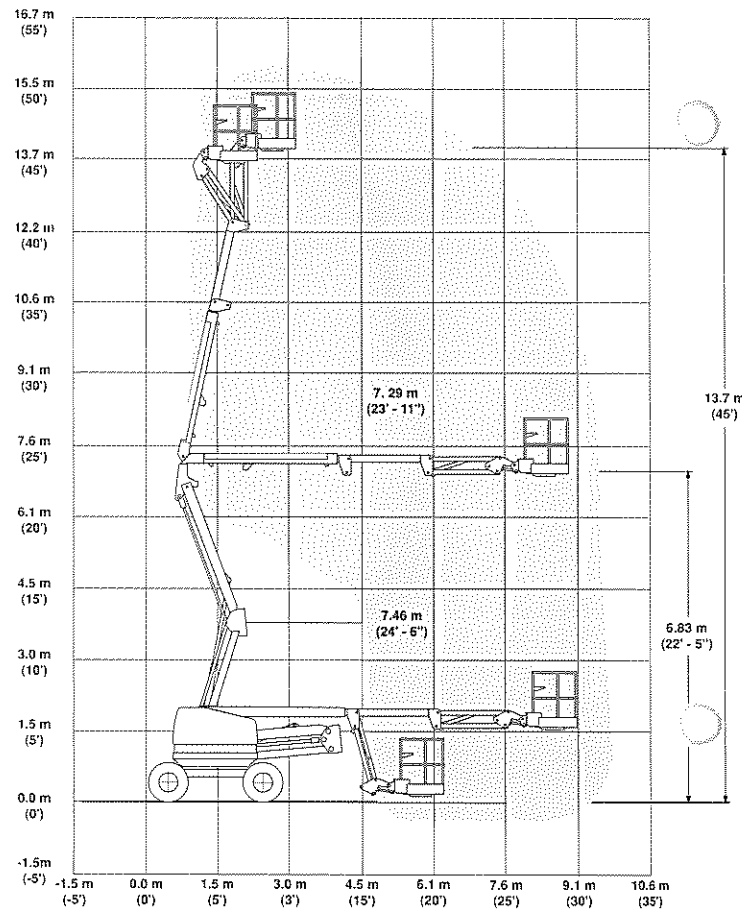
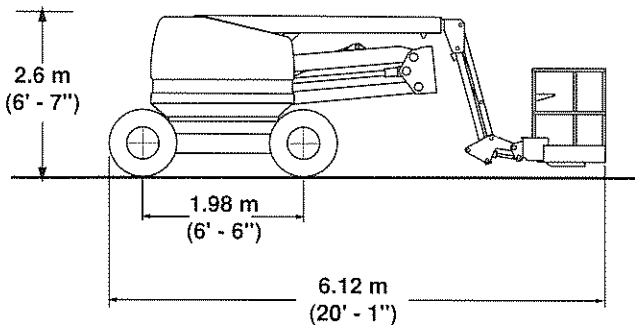
**Self-Propelled Aerial Work Platform**

# Specifications

# AMZ51/AMZ51XT

Platform size (standard)/Dimensions plateforme/ Plattformgröße/Platform afmetingen		
	0.76 x 1.5m (30 x 60 in)	
Turning Radius (outside)/Rayon de braquage/ Wenderadius/Draaicirkel		
	4.4 m (14 ft 6 in)	
Ground clearance/Rayon de balayage de queue (au-delà des pneus)/Bodenfreiheit/ Bodemvrijheid		
	0.2 m (8 in.)	
Tailswing/Rayon arrière (au-delà des pneus)/ Schwenkbereich (über die Räder hinaus)/ Draaicirkel contragewicht		
	Zero	
Wheelbase/Emplacement/ Radstand/Wielbasis		
	1.98m (6 ft 6 in)	
Weight/Poids/Maschinengewicht/ Gewicht		
	AMZ51	6532 kg (14,500 lbs)
	AMZ51XT	6622 kg (14,600 lbs)
Gradeability/Aptitude en pente/ Steigfähigkeit/Hellingshoek		
	AMZ51	30%
	AMZ51XT	50%
Tyre Size/Pneus/Reifengröße/ Bandenmaat		
	AMZ51	7.00 x 15 12PR NHS LUG PNEUMATIC
	AMZ51XT	12.00 x 16.5 8PR LUG NHS PNEUMATIC
Width/?fre?/?ger?/ ?dut?		
	AMZ51	1.79 m
	AMZ51XT	2.00 m / 1.79 m

Drive Steer/Roue directrices/ Antrieb Lenkung/ Aandrijving besturing		
	AMZ51	Front wheel steer
	AMZ51XT	Rear wheel drive
		Front wheel steer
		Four wheel drive
Engine/Moteur-Marque Modèle/ Motor/Motor		
		Deutz F4L-1011F
Maximum Drive Speed/Vitesse de déplacement maximum/ Maximale Fahrgeschwindigkeit/ Maximum Rijsnelheid		
	AMZ51	6.4 kph (4.0 mph)
	AMZ51XT	5.6 kph (3.5 mph)



**Grove Worldwide – World Headquarters**  
1565 Buchanan Trail East, P.O. Box 21  
Shady Grove, Pennsylvania 17256, U.S.A.  
Tel: [Int + 1] (717) 597-8121 Fax: [Int + 1] (717) 597-4062

**Grove Europe\***  
Sunderland SR4 6TT, England  
Tel: [Int +44] 191 565-6281 Fax: [Int + 44] 191 564-3736

**Delta Manlift**  
Z.I. de Fauillet  
B.P. 20  
47400 Tonneins, France  
Tel: [Int + 33] (1) 384-8511 Fax: [Int + 33] (1) 379-0687

\*Grove Europe Limited. Registered in England. Number 1845128. Registered office. Crown Works, Pallion, Sunderland, Tyne & Wear, England SR4 6TT

Distributed By:

Constant improvement and engineering progress make it necessary that we reserve the right to make specification, equipment, and price changes without notice. Illustrations shown may include optional equipment and accessories and may not include all standard equipment. This work platform meets the requirements, to the extent applicable, of US-DOJ, OSHA regulations and ANSI A92 standards in effect on the date of Manufacture.