

160 ATJ

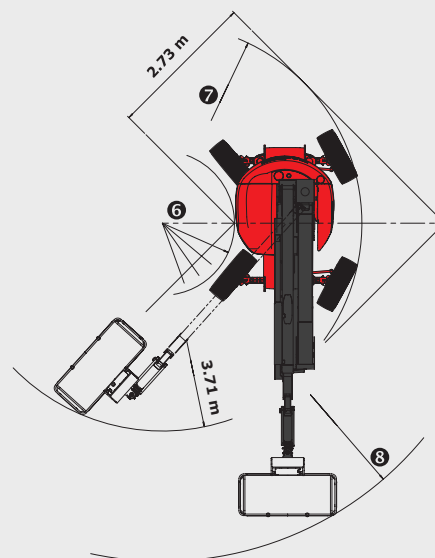
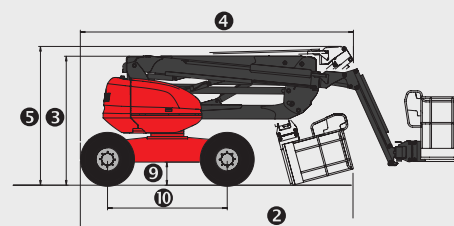
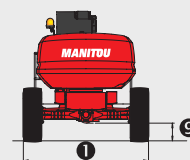
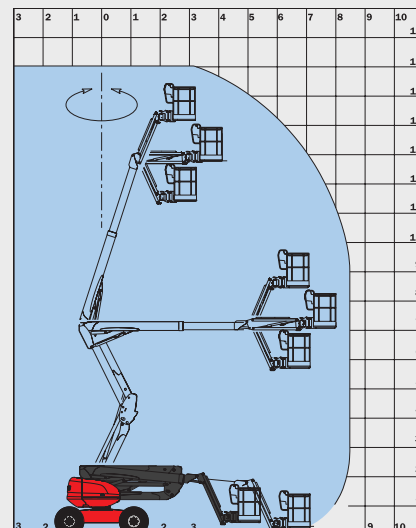
TECHNICAL DATA SHEET



www.manitou.com

160 ATJ

		160 ATJ
	Working height	16.01 m
	Platform height	14.01 m
	Articulation height	7.38 m
	Outreach	8.30 m
	Jib tilting	+70°/-70°
	Basket rotation	+90°/-90°
	Turret rotation	350°
	Capacity	230 kg
	Number of persons (indoor/outdoor)	2/2
	Basket (width and length)	1.80 x 0.80 m
	1. Overall width	2.30 m
	2. Overall length	6.53 m
	3. Overall height	2.37 m
	4. Overall length when folded	4,44 m
	5. Overall height when folded	2.61 m
	6. Inside turning circle	1.39 m
	7. Outside turning circle	3.71 m
	8. Turning Radius (basket)	5.94 m
	9. Ground clearance	35.5 cm
	10. Wheelbase	2.20 m
	Speed of forward movement	6 kph
	Working speed	0.80 kph
	Maximum slope accessible	40 %
	Maximum tilt	5° - 9%
	Tyres	16.5"
	Driving wheels	4
	Steering/directional wheels	4
	Weight	6160 kg
	<small>(varies according to options & standards of the country)</small>	
	Engine	KUBOTA V1505-E3B
	Power	35.1 HP
	Environmental noise (LwA)	101 dB



Standard equipment

Proportional levers
4 simultaneous movements
4 wheel drive
4 wheel steer
Wheels crab position
Solidair Tyres
Differential Lock
Front Axle limited slip differential
On Board Diagnostics
Hour meter
Fuel gauge with low level warning
Tool box
Protective cover with optional locking
Horn
Beacon
Audible and visual display alarm for excessive slope
Code Protected Machine Set Up
Hooks for sling loading/lifting
Electric Pump
Predisposition 230V
Dead man pedal

Optional equipment

2 Wheel steer
Oscillating Axle
Continuous Rotation
Onboard generator (3.50 kVA)
230V power input with differential circuit-breaker
Predisposition of water
Working light
Special paint
Biodegradable oil
Warning Alarm for all movements
Warning Travel Alarm
Catalytic Converter
Spark Arrester and overrun valve
Anti Theft code
18" Wheels
Certificate of verification
Safety harness
High capacity battery